



General Purpose Industrial Accelerometer

Features

- 100 mV/g
- Splashproof
- 2-Pin MIL style connector

Applications

- General Industrial
- Motors/Generators
- Pumps
- Gearboxes
- Rollers
- Experimental
- Fans/Cooling Towers
- Bearing Housings
- Compressors

Operating Specifications

Dynamic

Sensitivity @ 100Hz, ±10%	100 mV/g
Frequency Range	
±5%	5 Hz – 4 kHz
±10%	4 Hz – 7 kHz
±3dB	2 Hz – 12 kHz
Turn-on Time	≤ 0.5 seconds
Amplitude Range	±70 g peak
Mounted Resonance	>18 kHz
Transverse Sensitivity	≤5%
Amplitude Linearity	<1%

Electrical

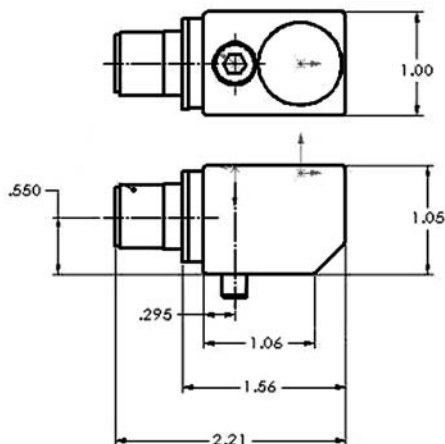
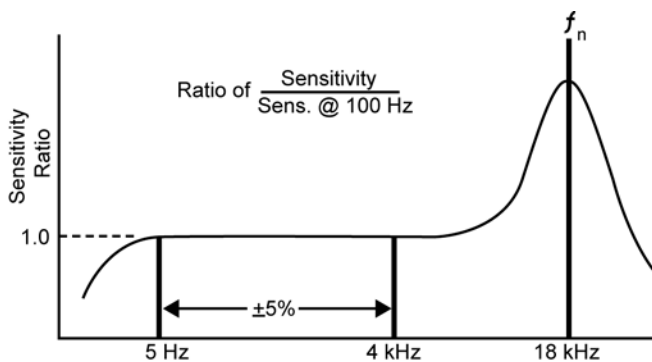
Noise (typical)	
Broadband	2.5 Hz to 20 kHz 350 µg
Spectral	
10 Hz	30 µg/√Hz
100 Hz	8 µg/√Hz
1000 Hz	3 µg/√Hz
Output Impedance	100 Ω
Grounding	Isolated
Bias Volts	10 - 14 VDC
Power Requirements	24-30 VDC
Current Regulating Diode	2-6 mA cc

Environmental

Temperature Range	-40 to 250°F / -40 to 121°C
Base Strain (NOM)	.005 g peak/µstrain
Shock Limit	5000 g peak

Physical

Physical Dimensions	1.05" h x .2.21" across flats
Weight	154.5 grams
Case Material	Type 304L stainless steel
Design	Piezoelectric
Seal	Welded - Hermetic
Mounting	¼-28 stud
Mounting Torque	35 in - lb. (3.9 N-m)



Ordering Information:

Model 6060	9357260
Power Supplies, 2 mA output, BNC/BNC, 24 VDC	
Model P5000 (rechargeable battery)	9356559
Model LP24-1B (110 VAC Line Input)	9356120
Cable, 2-Pin MIL/BNC 6' molded splashproof	9356686
Cable, 2-Pin MIL/Pigtail 6' high temperature	9354084
Cable, 2-Pin MIL/BNC 6' high temperature	9356381
Magnetic holder, 16 lb (for curved/flat surfaces)	9356809

Sensors include:

NIST Traceable Calibration, ¼-28 Mounting Stud, User Manual and 1-Year Warranty

For more information about *Vibra-Metrics* accelerometers, call us today at 609-716-4130, or visit us on-line at www.vibrametrics.com



195 Clarksville Road, Princeton Junction, NJ 08550 • Phone: 609-716-4130 • Fax: 609-716-0706
Email: sales@vibrametrics.com • Internet: www.vibrametrics.com

Due to continuing improvement, *Vibra-Metrics* reserves the right to amend specifications without notice.
Copyright © 2003 MISTRAS Holdings Group. All Rights Reserved. Rev. 9/05 VM#75-06