



General Purpose Industrial Accelerometers

Features

- 100 mV/g
- Integral cable
- Waterproof to 100 feet

Applications

- General Industrial
- Motors/Generators
- Pumps
- Gearboxes
- Rollers
- Experimental
- Fans/Cooling Towers
- Bearing Housings
- Compressors

Operating Specifications

Dynamic

Sensitivity @ 100 Hz, ±20%	100 mV/g	10.2 mV/(m/s ²)
Frequency Range	±5%	1 Hz - 4 kHz
	±10%	0.7 Hz - 7 kHz
	±3 dB	0.4 Hz - 10 kHz
Turn-on Time		≤2.5 seconds
Amplitude Range		±75 g
Mounted Resonance		>40 kHz
Transverse Sensitivity		<5%
Amplitude Linearity		<2%

Electrical

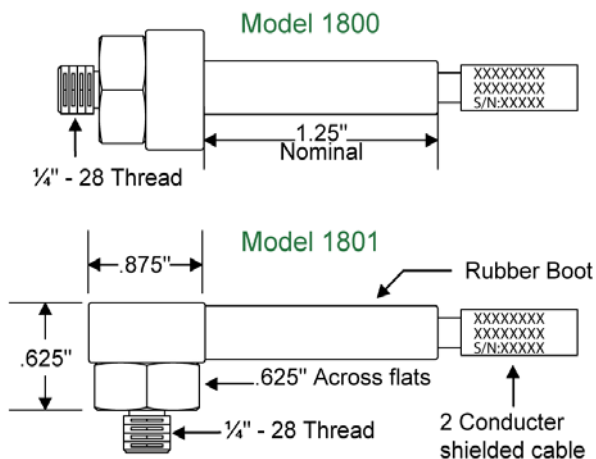
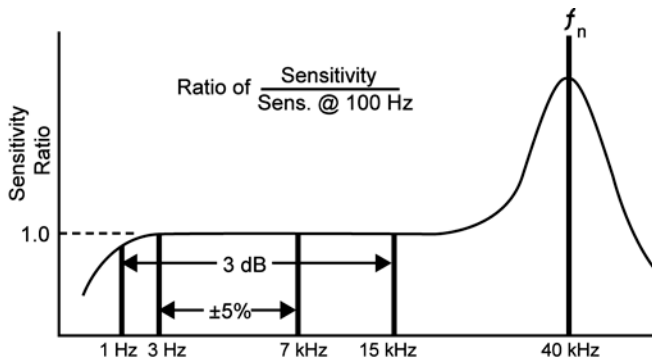
Noise (typical)		
Broadband	1 Hz to 10 kHz	300 µg rms
Spectral	10 Hz	10 µg/√Hz
	100 Hz	2.7 µg/√Hz
	1000 Hz	1.0 µg/√Hz
Output Impedance		<150 Ω
Isolation		Isolated, >100 Meg Ω
Bias Volts (nominal)		10 VDC
Power Requirements		18-28 VDC @ 1-6 mA cc

Environmental

Temperature Range	-65 to 250°F	-54 to 121°C
Base Strain (NOM.)	< 0.03 g peak/µstrain	
Shock Limit	5000 g	

Physical

Physical Dim.	1800	2.25" h x 13/16" diameter (5.7 x 2.1 cm)
	1801	.625" h x .812" across flats (1.6 x 1.6 cm)
Weight		1.1 oz / 30 grams plus cable
Case Material		Stainless steel
Design		Isolated shear
Seal		Epoxy
Mounting		¼-28 stud
Mounting Torque		35 in-lb (3.9 N-m)
Cable		Teflon jacketed twisted pair



Ordering Information:

Model 1800BW (BNC)	9357150
Model 1800PW (Pigtail)	9357154
Model 1800BA (BNC, armored)	9357149
Model 1800PA (Pigtail, armored)	9357153
Model 1801BW (BNC)	9357152
Model 1801PW (Pigtail)	9357156
Model 1801BA (BNC, armored)	9357151
Model 1801PA (Pigtail, armored)	9357155
Power Supplies, 2.2 mA output, BNC/BNC, 24 Vdc	
Model P5000, 24 Vdc (Ni-Cad)	9356559
Model LP24-1B, 110 vac line input, 24 Vdc	9356120
Magnetic holder, 16 lb holding force, 1/4-28	9356809
Magnetic holder, 35 lb holding force, 1/4-28	9353448

Sensors include:

NIST Traceable Calibration, 15' Cable Assembly, ¼-28 Mounting Stud, User Manual, 1-Year Warranty

For more information about Vibra-Metrics accelerometers, call us today at 609-716-4130, or visit us on-line at www.vibrametrics.com



195 Clarksville Road, Princeton Junction, NJ 08550 • Phone: 609-716-4130 • Fax: 609-716-0706
Email: sales@vibrametrics.com • Internet: www.vibrametrics.com

Due to continuing improvement, Vibra-Metrics reserves the right to amend specifications without notice.
Copyright © 2003 MISTRAS Holdings Group. All Rights Reserved. Rev. 9/05 VM#115703