



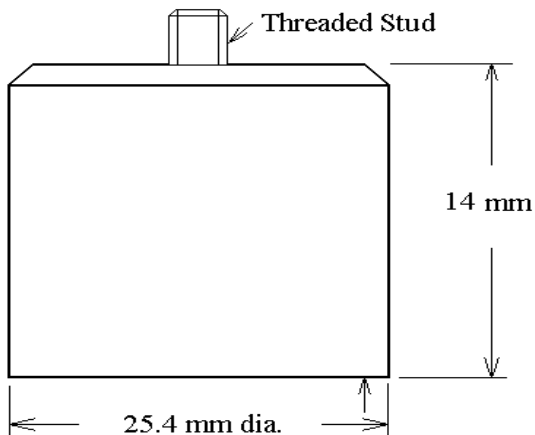
## International Scientific Instruments

(Importers and Distributors of Electronic Equipment)  
140 Darling Road, East Malvern, Vic. 3145, Australia  
PO Box 1215  
Darling, Vic. 3145, Australia  
Telephone: (03) 9571 7719 International: 61 3 9571 7719  
Fax: (03) 9571 9977 International: 61 3 9571 9977  
E-mail: [sales@interscientific.com.au](mailto:sales@interscientific.com.au)  
Web: [www.interscientific.com.au](http://www.interscientific.com.au)

### ACCELEROMETER MAGNET ADAPTER SPECIFICATION

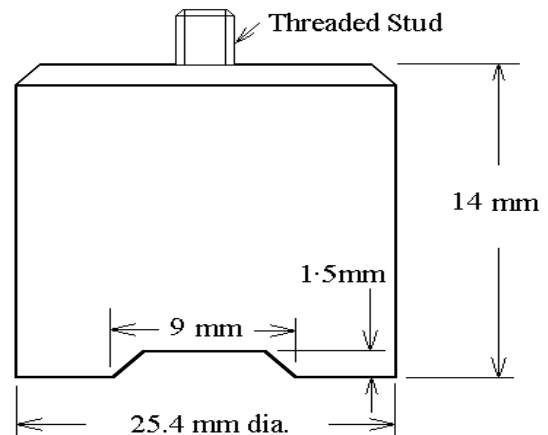
#### MODEL 14

**\$100 Plus GST**



#### MODEL 14 - 2 POLE

**\$130 Plus GST**

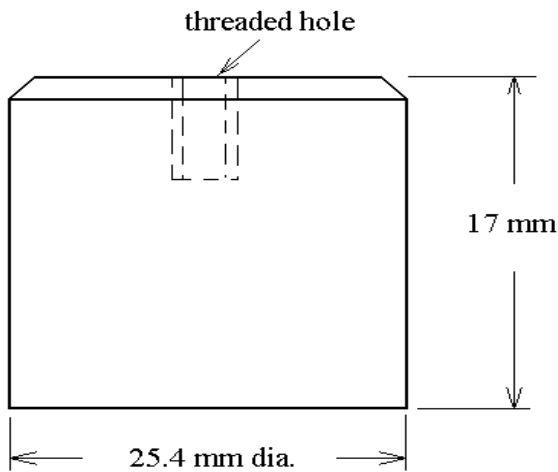


10-32 threaded stud : Part No. 9356614-1  
1/4-28 threaded stud : Part No. 9356614-2  
Adapter holding force : 20 Kg (44 lb.)

2 Pole Part No. 93566142-1  
2 Pole Part No. 93566142-2  
Adapter holding force : 17 Kg (37 lb.)

## MODEL 17

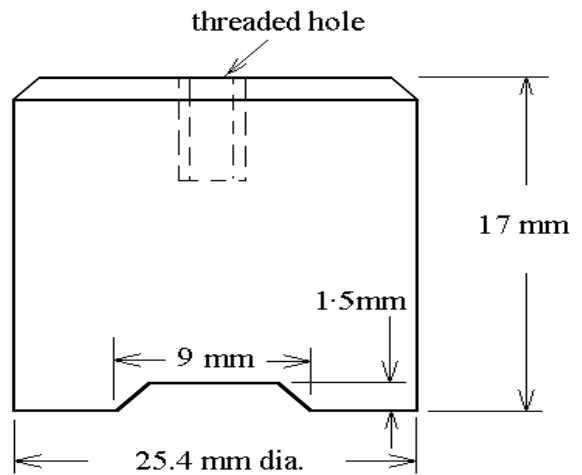
**\$100 Plus GST**



10-32 threaded hole : Part No. 9356617-1  
1/4-28 threaded hole : Part No. 9356617-2  
Adapter holding force : 20 Kg (44 lb.)

## MODEL 17 - 2 POLE

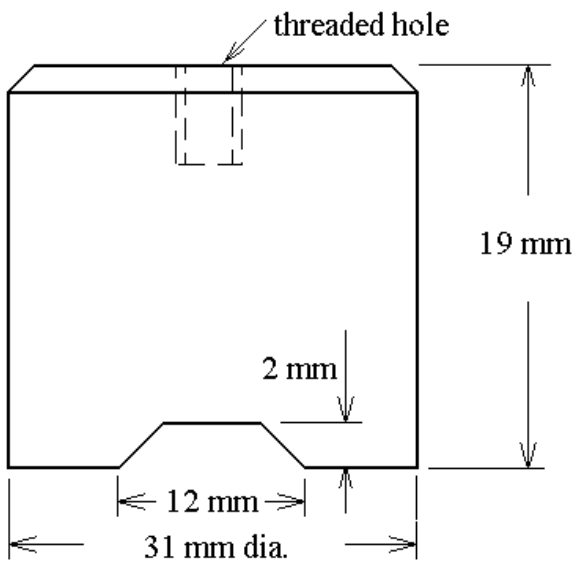
**\$130 Plus GST**



2 Pole Part No. 93566172-1  
2 Pole Part No. 93566172-2  
Adapter holding force : 17 Kg (37 lb.)

## MODEL 30 -2 POLE

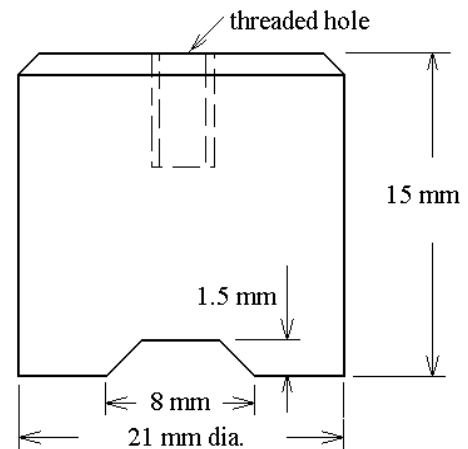
**\$130 Plus GST**



10-32 threaded hole : Part No. 9356630-1  
1/4-28 threaded hole : Part No. 9356630-2  
Adapter holding force : 26 Kg (57 lb.)

## MODEL 15 -2 POLE

**\$130 Plus GST**



10-32 threaded hole : Part No. 9356615-1  
1/4-28 threaded hole : Part No. 9356615-2  
Adapter holding force : 9 Kg (19 lb.)